

Emergency and Exit | LX Series/LT Series

CAT#:	Job:	Type:
-------	------	-------

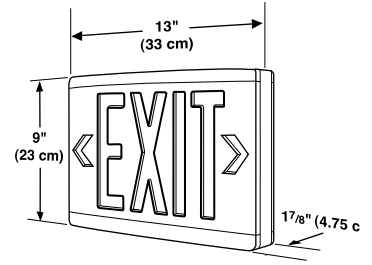
LX Series

Application

The LX Series offers bright and even LED EXIT panel illumination with Green or Red letters and attractive UV stable thermo-plastic housing. Features include AC or Emergency operation with optional Spectron® self-test/self diagnostic circuitry. Housing designed for quick and easy installation with low energy consumption. Damp location listed. Accepts 120 or 277 VAC input.

Compliances

UL 924 Listed (Meets 1998 brightness and uniformity requirements)
 UL Damp Location Listed
 NFPA-70
 NFPA-101
 US Patent No. D402,316, and D406,863.



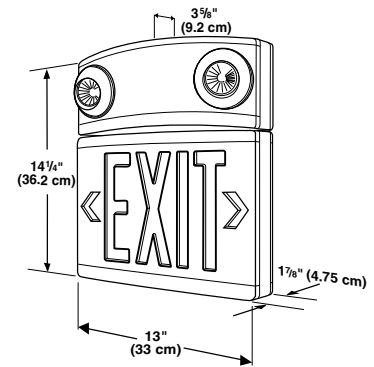
LT Series

Application

The LT Series provides bright, even LED exit illumination and emergency lighting, offering a flexible solution for emergency path of egress illumination. Four long life LEDs illuminate the exit sign, and two, semi-recessed "eyeball" shaped lamp-heads with halogen or LED based MR16 lamps provide emergency unit illumination. Remote capacity and damp location options are available.

Compliances

UL 924 Listed (optional damp location listed)
 NFPA 70
 NFPA 101
 U.S. Patent No. D406,279



Ordering Information

LX	U	R	W	E	I	-FM
Model	Faces	Letter Color	Housing Finish	Operation	Self-Diagnostic	Options
LX	U Universal Single/Double Face	R Red G Green	W White B Black	Blank AC Only E Emergency	Blank None I Spectron® Self-Testing / Self-Diagnostic Electronics	-2C 2-Circuit Operation ^{2,5} -FAP Fire Alarm Panel Interface ^{1,3,5,6} -FM Flasher Module ^{1,6} -AF Audible/Flasher Module ^{1,6} -DC Remote DC Operation ^{2,4,5} -24K 220-240 VAC, 60Hz Operation

Accessories

VRS-3	Vandal Resistant Shield
FCM-R	Kit Converts AC red letter models to emergency operation
FCM-G	Kit Converts AC green letter models to emergency operation
PMLXW	12 1/2" Pendant Mounting Kit (white)
PMLXB	12 1/2" Pendant Mounting Kit (black)
WGLX	Wire Guard (wall mount)
WGLXC	Wire Guard (ceiling mount)
WGLXE	Wire Guard (end mount)

- (1) For use with Spectron® self-diagnostic models only.
- (2) For use with AC models only.
- (3) Operates with 24-volt AC or DC fire alarm panels.
- (4) For emergency illumination of sign from remote 6-24 VDC power sources.
- (5) -DC option may not be specified with -2C or -FAP options.
- (6) -AF, -FM and -FAP options may not be specified together.

Ordering Information

LT	U	R	W	Application	Self-Diagnostics	Options
Model	Faces	Letter Color	Housing Finish	Application	Self-Diagnostics	Options
LT	U Universal Single/Double Face	R Red G Green	W White B Black	Blank Standard Model 3 Remote Capacity Model ⁸ D Damp Location Model ^{5,8}	Blank None I Spectron® Self-test/ Self-diagnostic Electronics ¹	Blank 5W Halogen lamps -03L 3W LED Lamp ⁶ -0 Unit supplied without lampheads ² -FAP Fire alarm panel interface ^{3,4,7} -FM Flasher module ^{4,7} -AF Alarm/Flasher module ^{4,7} -24K 220-240VAC, 60 Hz operation

Accessories

WGTW	Wireguard (wall mount)
WGTC	Wireguard (ceiling or end mount)
FTSMKW	Side mount field kit (white)
FTSMKB	Side mount field kit (black)
PMLZTW	12 1/2" Pendant mounting kit (white)
PMLZTB	12 1/2" Pendant mounting kit (black)

- 1 Available only with remote capacity and damp location models
- 2 Available with remote capacity (LTUXX3) models without Spectron only
- 3 Operates with 24-volt AC or DC fire alarm panels
- 4 -FAP, -FM or -AF options may not be specified together
- 5 Not available with -03L(LED) option
- 6 Not available with Spectron Self-Diagnostics
- 7 Only available with Spectron Self-Diagnostics
- 8 Remote and Damp cannot be specified together



WHITEWAY LIGHTING, A Division of Hubbell Lighting Inc
 1085 Johnson Drive, Buffalo Grove, IL 60089
 800-544-4848 | www.whiteway-ltg.com

