

CAT#: _____ Job: _____ Type: _____



Features

Built for superior performance packed with feature

- Full cutoff, Dark Sky compliant perimeter lighting meeting the strictest lighting codes. Flat glass and segmented reflector provide wide spread with environmentally-friendly light control. Standard HID units, removable Comfort Shield reduces forward beam projection while maintaining lateral throw
- Decorative cast aluminum housing and door. Rugged protection for internal components, provides heat sink and long ballast life
- Vertical HID lamp position (lamp is optional), maximum performance/life
- LMC-30 71w features up to 6,070 lm, 87 LPW, 700mA, LMC-30 35w features up to 3,489 lm, 100 LPW, 350mA
- Compact fluorescent version features one or two lamps and can be ordered with a ballast battery backup of one lamp for emergency egress applications
- Three point lag over recessed wiring boxes. Three 0.5 in conduit hubs allow feed-thru surface wiring capability. LED units feature Quick Mount never open the fixture installation
- UL certified for thru-wiring
- Wide selection of wattage and source including pulse start and electronic metal halide.
- U.S. Patent No. D563,587
- Quick Mount adapter allows one person installation without ever opening the luminaire. Adapter mounts to wall box and after wiring connections are made, fixture is secured to adapter
- Rugged die-cast aluminum housing/door with weather tight protection
- Photo-control option offers energy saving, auto on/off for dusk-to-dawn lighting
- Designed for mounting heights from 10-18 ft. Soft corner and sloped styling with side rib accents complements a wide variety of building facades

Certifications/Listings



Ordering Information

LMC		30LU		5K		4		-		1		PC(1)	
SERIES	LED / SOURCE / VOLTAGE	CCT		IES DISTRIBUTION		DRIVE CURRENT		FINISH		OPTIONS			
LMC Laredo Med Cutoff	30LU 30 LEDs, up to 6023lm 71W input, 120-277V	4K 4000K	3 Type III (6023lm)	BLANK STD 700MA	1 Bronze	PC(X) Button photo-control, replace X with voltage: 1-120V, 2-208V, 3-240V, 4-277V							
	30LF 30 LEDs, up to 6023lm 71W input, 347V	5K 5000K	4 Type IV (5593lm)	035 350MA	2 Black								
					3 Gray	WIH In-fixture wireless control module (120/277V only), Order separately, consult factory							
					4 White								
					5 Platinum								

Whiteway Quick Ship:

LMC-30LU-5K-4-1
LMC-30LU-5K-4-4

Specifications

Use:

- Full cutoff IDA compliance permitter or entry lighting for 12-18 ft mounting heights that require high light output and maximum energy efficiency. Laredo LMC-30 LED wallpack provides low installation costs with little or no maintenance and 60%+ energy savings. Ideal for schools, factories, hospitals, warehouses, and retail applications.

Construction:

- Decorative die-cast aluminum housing and door. Rugged design protects internal components and provides excellent thermal management for over 70% lumen maintenance at 50,000 hours minimum LED life. Lektrocote® series powder paint finishes provide lasting appearance in outdoor environments. Five standard finishes.

Optics/Electrical:

- 30 high-power LEDs deliver up to 6023 lumens at 700mA and up to 3448 lumens at 350mA. Combination of optical lenses and reflectors deliver light in either type III or type IV distributions, with better than 4-1 max min uniformity. 4000K and 5000K/70 CRI LEDs provide excellent color rendering with up to 97 LPW. UL certified for thru-wiring.
- Electronic driver 71w system, 0.4 AMPS max, or 35w, 0.3 amps max, 120-277V, 50/60Hz.

Lenses:

- Full cutoff distributions - individual acrylic LED optics provide IES type III and type IV distributions.

Installation:

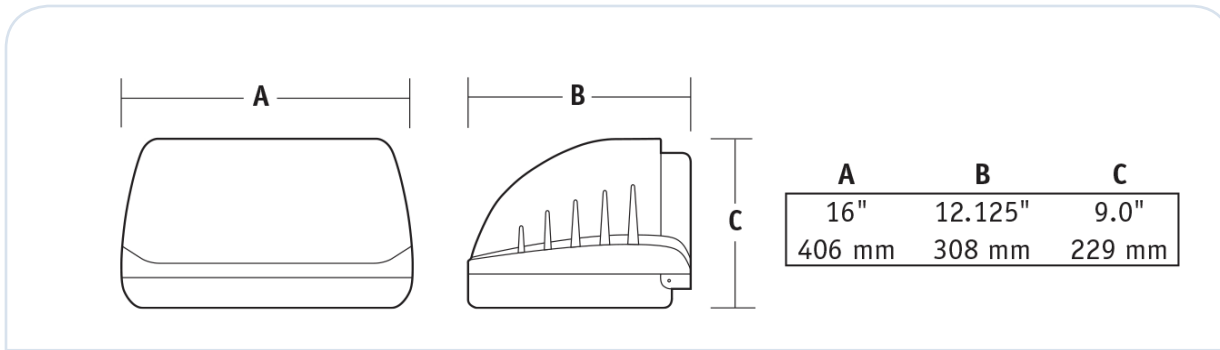
- Quick mount system provides rigid mounting over recessed junction boxes - fixture does not require opening for mounting. Foam gasket for sealing to smooth surfaces provided. Superior performance with 5-1 spacing to mounting height ratio.

Listings:

- Listed and labeled to UL 1598 for wet locations, 25°C ambient environments. Designlights Consortium (DLC) listed. U.S. Patent No. D563,587

Warranty:

- 5 year



Performance Summary

# of LEDs/CCT	Drive Current	System Watts	Dist. Type	Lumens	LPW
30 LEDs/ 5100K	350mA	35w	2	3489	100
			3	3448	98
			4	3422	98
	700mA	70w	2	6070	87
			3	6023	86
			4	5949	85

All performance data has been acquired by physical test reports conducted to LM-79-08 standards in a controlled testing laboratory.